

ATN 7x50C

OMEGA CLASS LE/MARINE BINOCULAR



USER'S GUIDE (ATN 7X50C) REVISION 1 - MARCH 2013

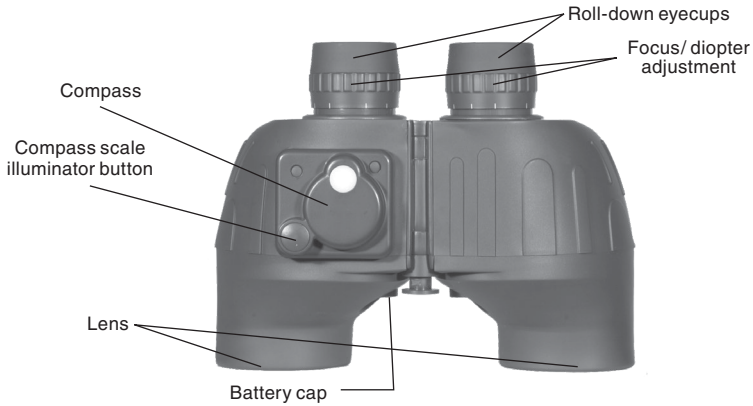
u s e r ' s g u i d e

Important Export Restrictions! Commodities, products, technologies and services contained in this manual are subject to one or more of the export control laws and regulations of the U.S. Government and they fall under the control jurisdiction of either the US Department of State or the US BIS-Department of Commerce. It is unlawful and strictly prohibited to export, or attempt to export or otherwise transfer or sell any hardware or technical data or furnish any service to any foreign person, whether abroad or in the United States, for which a license or written approval of the U.S. Government is required, without first obtaining the required license or written approval from the Department of the U.S. Government having jurisdiction. Diversion contrary to U.S. law is prohibited.



**AMERICAN
TECHNOLOGIES
NETWORK
CORP.**

REGISTER YOUR PRODUCT WARRANTY ONLINE AT WWW.ATNCORP.COM/WARRANTY



FEATURES

- Built in step rangefinder
- Extra-long eye relief for eyeglass wearers
- Illuminated compass.
- Two year warranty

Perfect for Military, Law Enforcement, Marine, Hunting or other field uses. It is extremely rugged Binocular.

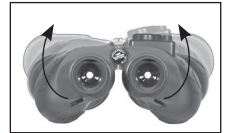
Features multi-coated optics for superior light transmission, individual diopter focus for clearer images and a full rubber armoring for increased shock resistance.

SPECIFICATIONS

Magnification	7X
Objective lens diameter ...	50 mm
Eye relief	20 mm
Real field of view	7°
Field of view	368 feet @ 1000 yards
Interpupillary distance	56-72 mm
Maximum width	215 mm
Minimum width	180 mm
Maximum height	115 mm
Minimum height	95 mm
Length	152 mm
Weight	1.38 kg/3.1 lb

EYE ADJUSTMENTS

How to adjust for distance between your eyes:



The distance between the eyes, called "interpupillary distance," varies from person to person.

To achieve perfect alignment of lens to eye, follow these simple steps:

1. Hold your binocular in the normal viewing position.
2. Grasp each barrel firmly. Move the barrels closer together or farther apart until you see a single circular field. Always reset your binocular to this position before using.

APPLICATION

The ATN 7X50C Omega Class Compass binocular with individual eyepiece focus, multi-coated optics and illuminated compass.

FOCUSING

Focus the binocular for one eye at a time by turning the ocular (eyepiece) until you see an equally

ATTENTION!

NEVER LOOK AT THE SUN! IT MAY CAUSE LOSS OF SIGHT

CAUTION:

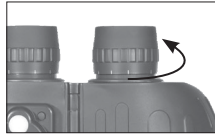
THIS PRODUCT CONTAINS NATURAL RUBBER LATEX WHICH MAY CAUSE ALLERGIC REACTIONS

The information in this manual furnished for information use only, is subject to change without notice, is not to be construed as a commitment by ATN Corp.

ATN Corp. assumes no responsibility or liability for any errors or inaccuracies that may appear in this book.

©2013 ATN Corp. All right reserved.

sharp image with each eye. If more than one person will be using the binocular, you should mark the left and right eyepieces for your own vision to permit quick readjustment.



ROLL-DOWN EYECUPS

Your binocular fitted with rubber eyecups designed to exclude extraneous light. If you wear eyeglasses, you may be able to roll-down the eyecups. For eyeglass wearers, lowering or rolling down the eyecups will bring your eyes closer to the binocular lenses, thus providing an improved field of view.



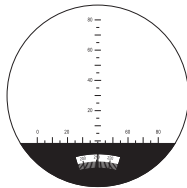
RANGEFINDER RETICLE

Calculating Distance:

With a known height or width of an object, it is easy to determine how far it is away.

Formula: $\text{size of object} \times 1.000 / \text{scale value (mil)} = \text{distance}$

When this formula is used, the distance will be given in the same units of measurement (feet, meters, etc.) as is used in estimating the known size of the object. The same formula can be used to determine range with the vertical retical scale when height of an object is known. The use of the vertical scale is preferred (especially on level terrain), since objects are often viewed obliquely along the horizontal axis.



Calculating Size:

With a known distance, the size of an object can easily be determined by using the reticle.

Formula: $\text{distance} \times \text{scale value (mil)} / 1.000 = \text{size of object}$

COMPASS

The compass is a precision unit. It has extremely fast dumping so that there is almost no "swing" and is connected for dip (Latitude). The compass scale is in one degree increments and is aligned with the vertical range finding scale. When using the compass, always keep in mind the local variation between magnetic and true north. Binocular compass uses degree measurements North = 360°, East = 90°, South = 180°, West = 270°.

The compass model comes with built-in LED compass illuminator for use at night and low light conditions. When the ambient light does not

permit you to see the compass heading clearly, press the button atop the right tube. If the light is dim or does not come on, replace the batteries. If the light does not operate after replacing the batteries, please contact the dealer nearest you.

CARE AND CLEANING

By following these simple guidelines, your binocular will provide optimal performance for many years:

1. Keep binocular lenses clean and free of moisture and dirt.
2. When not in use, do not expose your binocular to direct sunlight for long periods of time (e.g. on the dashboard of your vehicle).
3. Store your binocular in a cool, dry place. Always store your binocular in its carrying case, with the rubber roll-down eyecups in the "up" position.
4. Binocular are precision instruments - handle them with care. Do not drop, shake, bump or rattle your binocular. Its precision optics can become misaligned (out of collimation) as a result of rough treatment, which can render the instrument virtually unusable.

Collimation problems usually require repair by a trained technician, and are generally not covered by the Warranty.

To clean your binocular, follow these simple steps:

1. Before attempting to clean any of the lenses, carefully remove all grit, sand, dirt, dust, or other substances which may scratch the surface of the optics. Avoid touching lens surfaces with fingers or coarse materials. Use a soft lens brush, lens cleaning tissue, a lint-free cotton cloth, a clean cotton swab, or "canned" air.
2. For materials that remain on the lenses, use a liquid substance designed to remove grease (e.g., commercial lens cleaner, household window cleaner or rubbing alcohol).

CAUTION: Do not apply liquid directly onto a lens, which may result in the liquid seeping into the barrel of the binocular. Apply the solution onto a cloth or swab, and use the cloth or swab to remove the foreign substance with circular motions. Take care as to not rub away antireflectant lens coatings. Use a light touch.

WARRANTY

2 YEAR PRODUCT WARRANTY

This product is guaranteed to be free from manufacturing defects in material and workmanship under normal use for a period of 2 (two) years from the date of purchase. In the event a defect that is covered by the foregoing warranty occurs during the applicable period stated above, ATN, at its option, will either repair or replace the product, and such action on the part of ATN shall be the full extent of ATN's liability, and the Customer's sole and exclusive remedy. This warranty does not cover a product (a) used in other than its normal and customary manner; (b) subjected to misuse; (c) subjected to alterations, modifications or repairs by the Customer or by any party other than ATN without prior written consent of ATN; (d) special order or "close-out" merchandise or merchandise sold "as-is" by either ATN or the ATN dealer; or (e) merchandise that has been discontinued by the manufacturer and either parts or replacement units are not available due to reasons beyond the control of ATN. ATN shall not be responsible for any defects or damage that in ATN's opinion is a result from the mishandling, abuse, misuse, improper storage or improper operation, including use in conjunction with equipment which is electrically or mechanically incompatible with or of inferior quality to the product, as well as failure to maintain the environmental conditions specified by the manufacturer. **CUSTOMER IS HEREBY NOTIFIED THAT OPERATION OF THE EQUIPMENT DURING DAYLIGHT HOURS OR UNDER ANY EXCESSIVE LIGHT CONDITIONS MAY PERMANENTLY DAMAGE THE INTERNAL COMPONENTS OF THE UNIT AND SAID DAMAGE WILL NOT BE COVERED UNDER THIS WARRANTY.** This warranty is extended only to the original purchaser. Any breach of this warranty shall be waived unless the customer notifies ATN at the address noted below within the applicable warranty period.

The customer understands and agrees that except for the foregoing warranty, no other warranties written or oral, statutory, expressed or implied, including any implied warranty of merchantability or fitness for a particular purpose, shall apply to the product. All such implied warranties are hereby and expressly disclaimed.

LIMITATION OF LIABILITY

ATN will not be liable for any claims, actions, suits, proceedings, costs, expenses, damages or liabilities arising out of the use of this product. Operation and use of the product are the sole responsibility of the Customer. ATN's sole undertaking is limited to providing the products and services outlined herein in accordance with the terms and conditions of this Agreement. The provision of products sold and services performed by ATN to the Customer shall not be interpreted, construed, or regarded, either expressly or implied, as being for the benefit of or creating any obligation toward any third party of legal entity outside ATN and the Customer; ATN's obligations under this Agreement extend solely to the Customer. **ATN's liability hereunder for damages, regardless of the form or action, shall not exceed**

the fees or other charges paid to ATN by the customer or customer's dealer. ATN shall not, in any event, be liable for special, indirect, incidental, or consequential damages, including, but not limited to, lost income, lost revenue, or lost profit, whether such damages were foreseeable or not at the time of purchase, and whether or not such damages arise out of a breach of warranty, a breach of agreement, negligence, strict liability or any other theory of liability.

PRODUCT WARRANTY REGISTRATION

In order to validate the warranty on your product, ATN must receive a completed Product Warranty Registration Card for each unit or complete warranty registration on our website at www.atncorp.com. Please complete the included form and immediately mail it to our Service Center: ATN Corporation, 1341 San Mateo Avenue, South San Francisco, CA 94080.

OBTAINING WARRANTY SERVICE

To obtain warranty service on your unit, End-user must notify ATN service department by calling **800-910-2862** or **650-989-5100** or via e-mail service@atncorp.com to receive a Return Merchandise Authorization number (RMA). When returning please take or send the product, postage paid, with a copy of your sales receipt to our service center, ATN Corporation at the address noted above. All merchandise must be fully insured with the correct postage; ATN will not be responsible for improper postage or, missing or damaged merchandise during shipment. When sending product back, please clearly mark the RMA# on the outside of the shipping box. Please include a letter that indicates your RMA#, Name, Return Address, reason for service return, Contact information such as valid telephone numbers and/or e-mail address and proof of purchases that will help us to establish the valid start date of the warranty. **Product merchandise returns that do not have an RMA listed may be refused or a significant delay in processing may occur.** Estimated Warranty service time is 10-20 business days. End-user/customer is responsible for postage to ATN for warranty service. ATN will cover return postage/shipping after warranty repair to end-user/customer only if product is covered by aforementioned warranty. ATN will return product after warranty service by domestic UPS ground and/or domestic mail. Any other requested, required or international shipping method the postage/shipping fee will be the responsibility of the end-user/customer.

For customer service and technical support, please contact

American Technologies Network Corp.

1341 San Mateo Avenue
South San Francisco
CA 94080

phone: 800-910-2862, 650-989-5100
fax: 650-875-0129

www.atncorp.com